

Supplementary Information

ArduiTaM: accurate and inexpensive NMR auto tune and match system

Mazin Jouda*¹, Saraf M. Torres Delgado*¹, Mehrdad Alinaghian Jouzdani¹, Dario Mager¹, and Jan G. Korvink¹

¹Karlsruhe Institute of Technology (KIT), Institute of Microstructure Technology, Karlsruhe 76131, Germany

Correspondence: Jan G. Korvink (jan.korvink@kit.edu)

*Shared first authorship.

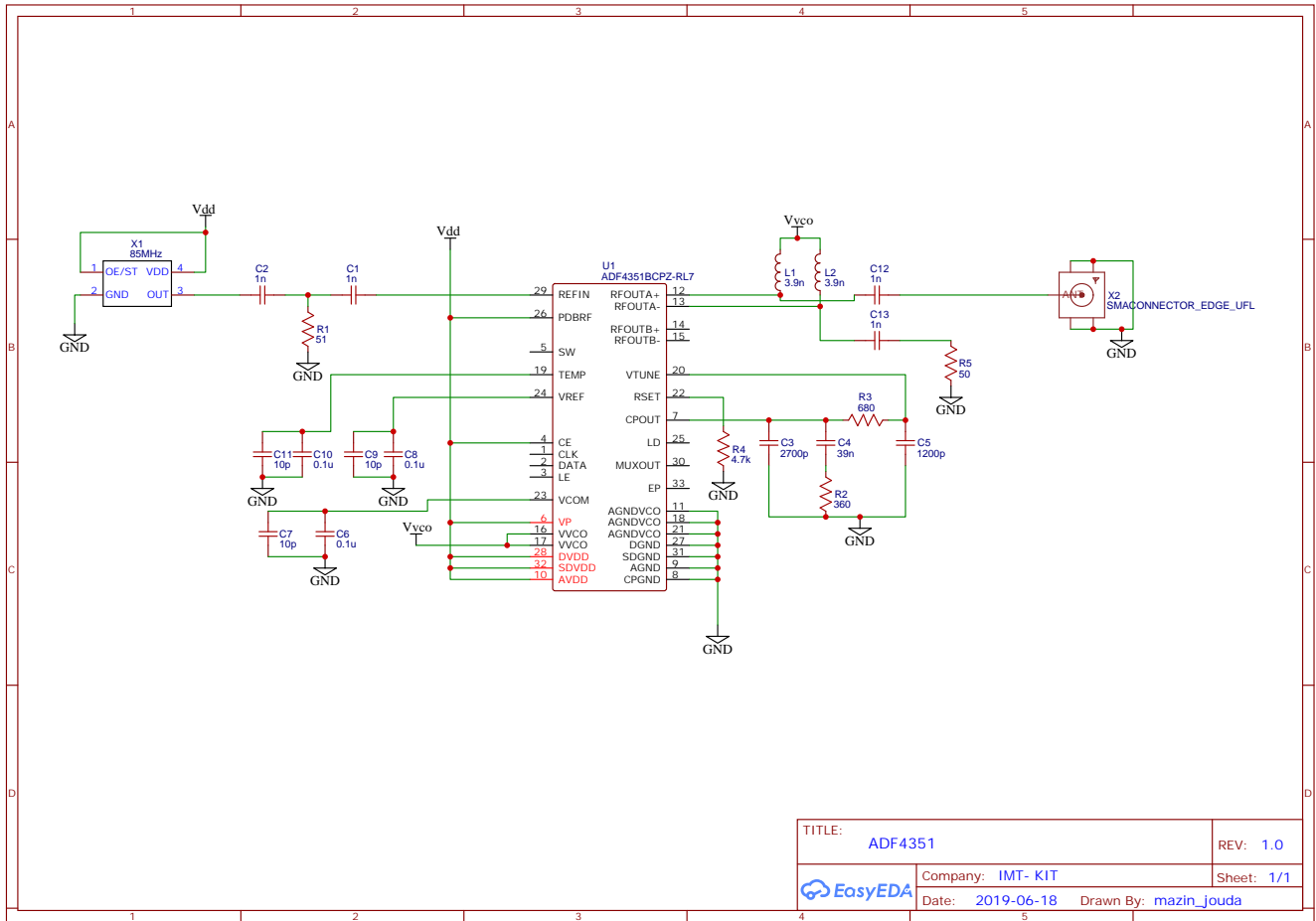


Figure 1. Schematic diagram of the ADF4351 broadband frequency synthesizer.

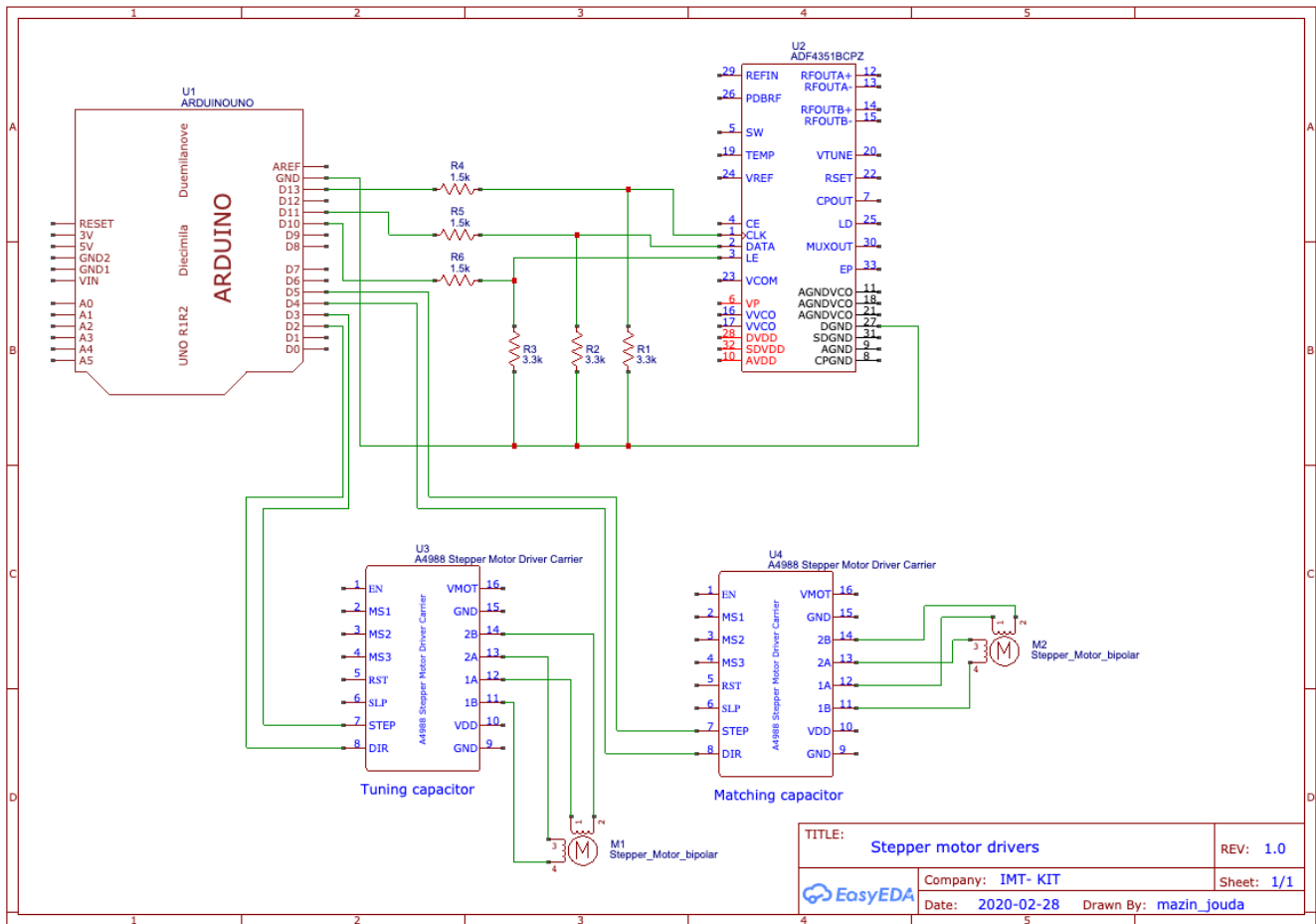


Figure 2. Circuit diagram describing the interface between the Arduino and the ADF4351 frequency synthesizer. The diagram shows also the connections of the stepper motors' drivers (A4988).

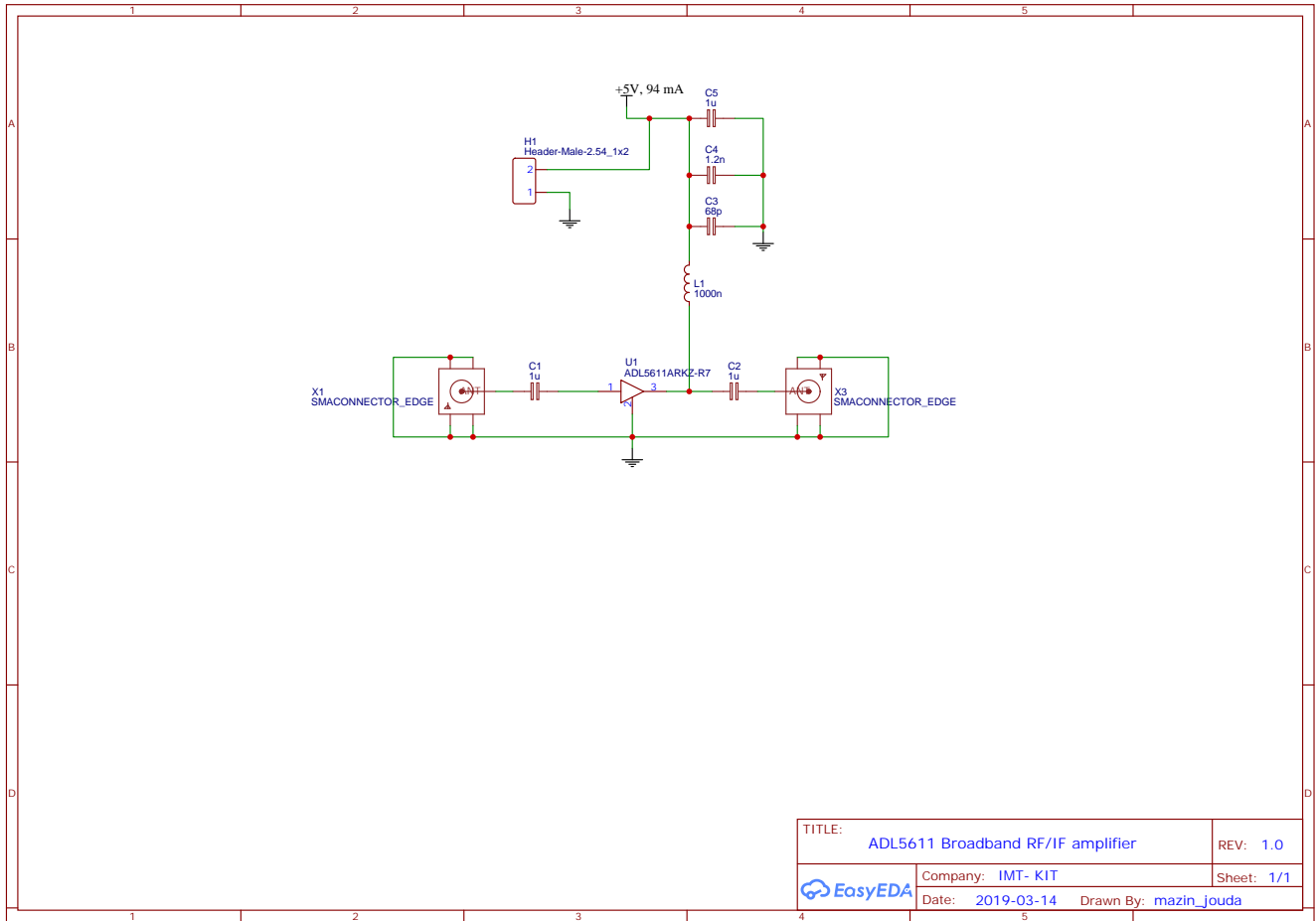


Figure 3. Circuit diagram of the ADL5611 broadband IF/RF amplifier.

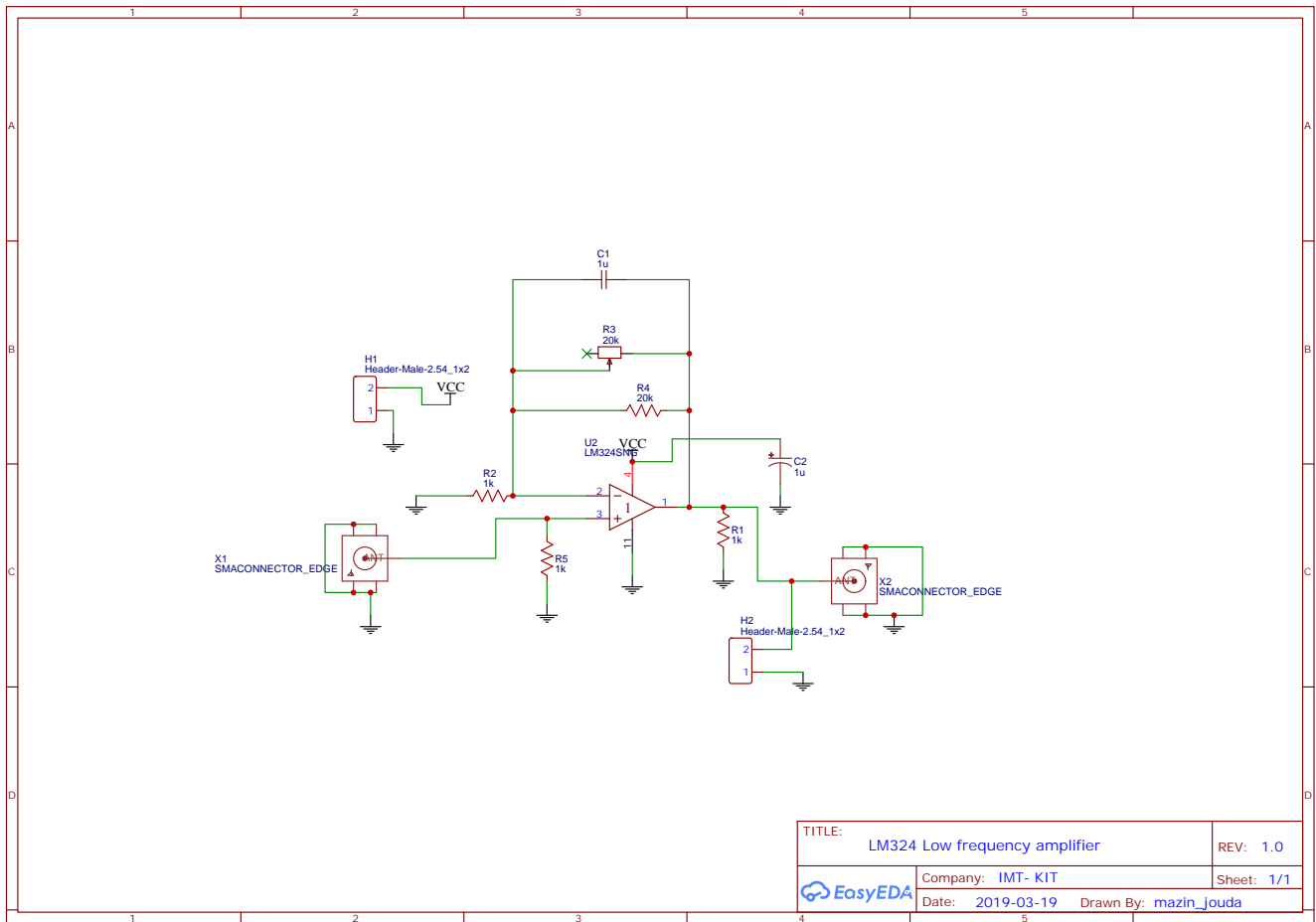


Figure 4. Schematic of the LM324 low-frequency amplifier.